

**Distributed by:**



**Corrosion  
Control  
Equipment  
and  
Supplies**

**Houston Office:**  
248 McCarty Dr.  
Houston, TX 77029-1195  
(713) 672-8251  
Fax (713) 672-6636

***1-800-CLEMTEX***  
***www.clemtex.com***  
***clemtex@clemtex.com***

**Dallas Branch:**

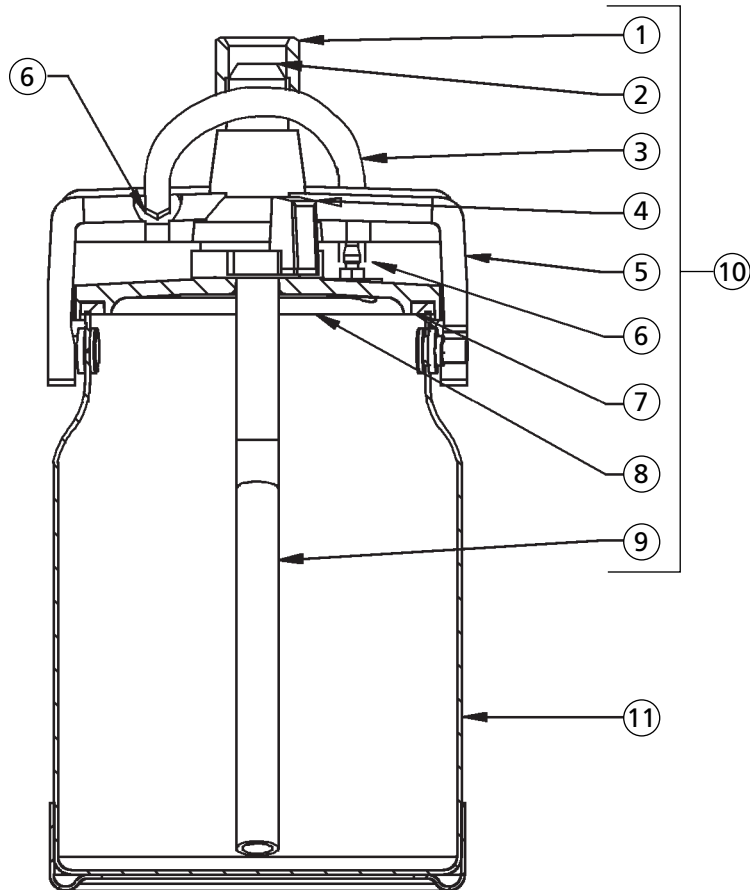
4770 Gretna  
Dallas, TX 75207  
(214) 631-0584  
Fax (214) 631-5824  
1-800-BLAST 97

**Corpus Christi Branch:**

4750 Westway  
Corpus Christi, TX 78408  
(361) 882-8282  
Fax (361) 882-6029



# Binks MODEL 81-800 DRIP-PROOF 1-QUART ALUMINUM SIPHON CUP ASSEMBLY 3/8 NPS THREAD SWIVEL NUT



**NOTE**

Keep tube and tube connectors clean of paint. Accumulation of paint in the tube or connectors can plug them and prevent the siphon action.

## PARTS LIST

When ordering, please specify Part No.

ITEM NO.	PART NO.	DESCRIPTION	QTY.	ITEM NO.	PART NO.	DESCRIPTION	QTY.
1	TGC-13●	SWIVEL NUT.....	1	8	81-805	COVER MACHINING.....	1
2	TGC-12●	ADAPTER .....	1	9	TGC-11	TUBE (Fluid) .....	1
3	81-803▲	DRIP PROOF TUBE (Plus One Spare)....	2	10	81-801**	COVER ASSEMBLY .....	1
4	TSC-13●	LEVER .....	1	11	82-428-2	ONE QUART CUP ASSEMBLY .....	1
5	81-802	YOKE .....	1				
6	81-307●	CONNECTOR .....	2				
7	TGC-9*●	GASKET .....	1				

● Available in 81-806 Cup Cover Repair Kit.  
▲ Available in quantity pack. Order 81-803-K5 (quantity of 5).  
\* Available in quantity pack. Order TGC-9-K5 (quantity of 5).  
\*\* 81-801 Cover Assembly can be purchased separately.

In this part sheet, the words **WARNING**, **CAUTION** and **NOTE** are used to emphasize important safety information as follows:





**⚠ WARNING**  
 Hazards or unsafe practices which could result in severe personal injury, death or substantial property damage.

**⚠ CAUTION**  
 Hazards or unsafe practices which could result in minor personal injury, product or property damage.

**NOTE**  
 Important installation, operation or maintenance information.

**⚠ WARNING**

The following hazards may occur during the normal use of this equipment.  
 Read the following chart before using this equipment.

HAZARD	CAUSE	SAFEGUARD
<b>Fire</b> 	Solvent and coatings can be highly flammable or combustible, especially when sprayed.	Do not spray near open flames, pilot lights in stoves or heaters, or other heat sources.  Adequate ventilation must always be provided. Industrial applications must comply with OSHA requirements.
<b>Solvent Spray</b> 	During cleaning and flushing, solvents can be forcefully expelled from fluid and air passages. Some solvents can cause eye injury or irritation.	Wear eye protection.
<b>Inhaling Toxic Substances</b> 	Certain materials may be harmful if inhaled, or if there is contact with the skin.	Follow the requirements of the Material Safety Data Sheet supplied by your coating material manufacturer.  Adequate exhaust must be provided to keep the air free of accumulations of toxic materials.  Use a mask or respirator whenever there is a chance of inhaling sprayed materials. The mask must be compatible with the material being sprayed and its concentration. Equipment must be as prescribed by an industrial hygienist or safety expert, and be NIOSH approved.
<b>Explosion Hazard – Incompatible Materials</b> 	Chlorinated solvents such as 1, 1, 1-Trichloroethane and Methylene Chloride (sometimes called methyl chloride) can chemically react with the aluminum used in most spray equipment, and these cups, to produce an explosion hazard.	Read the label or data sheet for the material you intend to spray.  Do not use any type of spray coating material containing these solvents.  Do not use these solvents for equipment cleaning or flushing.  If in doubt as to whether a material is compatible, contact your material suppliers.

**FOR FURTHER SAFETY INFORMATION REGARDING BINKS AND DEVILBISS EQUIPMENT, SEE THE GENERAL EQUIPMENT SAFETY BOOKLET (77-5300).**

**WARRANTY**

This product is covered by Binks' 1 Year Limited Warranty.

**Binks Worldwide Sales and Service Listing: [www.binks.com](http://www.binks.com)**

**ITW Industrial Finishing**

Binks has authorized distributors throughout the world. For technical assistance or the distributor nearest you, see listing below.

**U.S./Canada Technical Service Office:**

195 Internationale Blvd., Glendale Heights, IL 60139  
 Toll-Free Telephone: 1-888-992-4657 (U.S.A. and Canada only)  
 Toll-Free Fax: 1-888-246-5732

77-2794R-1 Revisions: (P2) Added warnings.



An Illinois Tool Works Company