

Distributed by:



**Corrosion
Control
Equipment
and
Supplies**

Houston Office:
248 McCarty Dr.
Houston, TX 77029-1195
(713) 672-8251
Fax (713) 672-6636

1-800-CLEMTEX
www.clemtex.com
clemtex@clemtex.com

Dallas Branch:

4770 Gretna
Dallas, TX 75207
(214) 631-0584
Fax (214) 631-5824
1-800-BLAST 97

Corpus Christi Branch:

4750 Westway
Corpus Christi, TX 78408
(361) 882-8282
Fax (361) 882-6029

Instructions – Parts List



55 GALLON (200 LITER), 45:1 PREMIER™ Module Supply Units

310338B

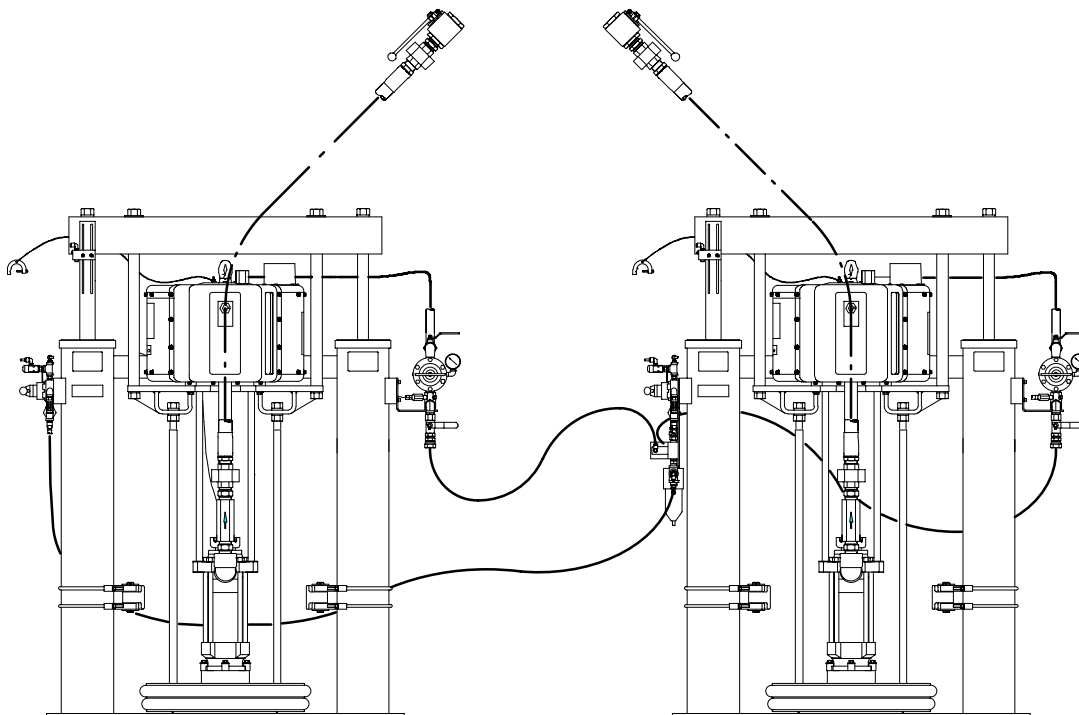
332 bar, 33.2 MPa (4875 psi) Maximum Working Pressure

- * Model 970196, Tandem with Pneumatic Crossover
- Model 970197, Tandem with Electric Crossover
- * Model 970198, Pneumatic Low Level Shutoff

* These models are  certified. 



Read warnings and instructions.
See page 2 for table of contents and
list of models.



Model 970196 Tandem Shown

8894A

Table of Contents

List of Models	2	Parts	16
Warnings	3	Technical Data	19
System Information	6	Graco Warranty	20
Component Identification and Function	7	Graco Information	20
System Setup	8		
Operation	12		

List of Models

Part No.	Pump Model	Displacement Pump Model	Ratio	Maximum Fluid Working Pressure	Maximum Pump Air Input Pressure	Parts Page
* 970196	Premier™	Dura-Flo™ 1800	45:1	332 bar, 33.2 MPa (4875 psi)	5.1 bar, 0.51 MPa (75 psi)	16
970197	Premier™	Dura-Flo™ 1800	45:1	332 bar, 33.2 MPa (4875 psi)	5.1 bar, 0.51 MPa (75 psi)	17
* 970198	Premier™	Dura-Flo™ 1800	45:1	332 bar, 33.2 MPa (4875 psi)	5.1 bar, 0.51 MPa (75 psi)	18

* These models are CE certified.

Related Manuals

Component	Manual No.
Ram-Mounted Pumps	310524
Pneumatic Crossover	310293
Low-Level Shutoff	310294
Electrical Crossover	310295

Warnings

Warning Symbol



This symbol alerts you to the possibility of serious injury or death if you do not follow the instructions.

Caution Symbol



This symbol alerts you to the possibility of damage to or destruction of equipment if you do not follow the instructions.

WARNING



INSTRUCTIONS



EQUIPMENT MISUSE HAZARD

Equipment misuse can cause the equipment to rupture, malfunction, or start unexpectedly and result in serious injury.

- This equipment is for professional use only.
- Read all instruction manuals, warnings, tags, and labels before operating the equipment.
- Use the equipment only for its intended purpose. If you are uncertain about usage, call your Graco distributor.
- Do not alter or modify this equipment. Use only genuine Graco parts and accessories.
- Check the equipment daily. Repair or replace worn or damaged parts immediately.
- Do not exceed 75 psi (5.1 bar) maximum inbound air pressure to the air-powered ram.
- Never exceed the recommended working pressure or the maximum air inlet pressure stated on your pump or in the **Technical Data** on page 19.
- Be sure that all spray/dispensing equipment and accessories are rated to withstand the maximum working pressure of the pump. Do not exceed the maximum working pressure of any component or accessory used in the system.
- Route the hoses away from the traffic areas, sharp edges, moving parts, and hot surfaces. Do not expose Graco hoses to temperatures above 82° C (180° F) or below -40° C (-40° F).
- Do not use the hoses to pull the equipment.
- Use fluids and solvents that are chemically compatible with the equipment wetted parts. Refer to the **Technical Data** sections of all the equipment manuals. Always read the material manufacturer's literature before using fluid or solvent in this pump.
- Always wear protective eyewear, gloves, clothing, and respirator as recommended by the fluid and solvent manufacturers.
- Wear hearing protection when operating this equipment.
- Comply with all applicable local, state and national fire, electrical and other safety regulations.

WARNING



INJECTION HAZARD

Spray from the spray gun, hose leaks, or ruptured components can inject fluid into your body and cause extremely serious injury, including the need for amputation. Splashing fluid in the eyes or on the skin can also cause serious injury.

- Fluid injected into the skin might look like just a cut, but it is a serious injury. **Get immediate medical attention.**
- Do not point the gun/valve at anyone or at any part of the body.
- Do not put your hand or fingers over the spray tip/nozzle.
- Do not stop or deflect fluid leaks with your hand, body, glove, or rag.
- Always have the trigger guard on the gun when dispensing.
- Check the gun diffuser operation weekly. Refer to the gun manual.
- Be sure the gun/valve trigger safety operates before dispensing.
- Lock the gun/valve trigger safety when you stop dispensing.
- Follow the **Pressure Relief Procedure** on page 12 if the nozzle clogs, and before cleaning, checking or servicing the equipment.
- Tighten all fluid connections before operating the equipment.
- Check the hoses, tubes, and couplings daily. Replace worn, damaged, or loose parts immediately. Do not repair high pressure couplings; you must replace the entire hose.
- Fluid hoses must have spring guards on both ends, to help protect them from rupture caused by kinks or bends near the couplings.



FIRE, EXPLOSION AND ELECTRIC SHOCK HAZARD

Improper grounding, poor air ventilation, open flames, or sparks can cause a hazardous condition and result in fire, explosion, or electrostatic shock and other serious injury.

- Ground the equipment, the object being dispensed, and all other electrically conductive objects in the dispense area. Proper grounding dissipates static electricity generated in the equipment. Refer to **System Grounding** on page 8.
- Provide fresh air ventilation to avoid the buildup of flammable fumes from solvent or material.
- Extinguish all open flames or pilot lights in the dispense area.
- Do not turn on or off any light switch in the dispense area.
- Do not use this equipment with flammable liquids.
- Do not stop or deflect fluid leaks with your hand, body, glove, or rag.
- Keep the dispense area free of debris, including solvent, rags, and gasoline.
- Do not smoke in the dispense area.
- If there is any static sparking or you feel an electric shock while using the equipment, **stop dispensing immediately**. Do not use the equipment until you have identified and corrected the problem.

WARNING



MOVING PARTS HAZARD

Moving parts, such as the ram ram plate/pump inlet can pinch fingers.

- Do not operate the equipment with the guard removed.
- Keep clear of all moving parts when starting or operating the equipment.
- Keep hands and fingers away from the priming piston during operation and whenever the pump is charged with air.
- Keep clear of the ram plate, pump fluid inlet, and lip of the fluid container when raising or lowering the ram.
- Before checking or servicing the ram or pump, follow the **Pressure Relief Procedure** on page 12.



TOXIC FLUID HAZARD

Hazardous fluid or toxic fumes can cause serious injury or death if splashed in the eyes or on the skin, inhaled, or swallowed.

- Know the specific hazards of the fluid you are using.
- Store hazardous fluid in an approved container. Dispose of hazardous fluid according to all local, state and national guidelines.
- Always wear protective eyewear, gloves, clothing and respirator as recommended by the fluid and solvent manufacturer.
- Avoid exposure to heated material fumes.
- Provide adequate ventilation.

System Information

System Description

Systems 970196 and 970197 include dual 55 gallon supply units for continuous material supply. System 970196 uses a pneumatic crossover; System 970197 uses an electrical crossover.

System 970198 is a single 55 gallon supply unit with a low-level shutoff. See Fig. 1.

Each system air-powered ram pushes a ram plate (C) into a drum of material, while the pump (A) removes material from the drum and pushes it through a supply hose to a customer-supplied header. Material flows through the header to individual dispense drops.

WARNING

A main air bleed valve (E) and pump air bleed valve (H), are required. These accessories help reduce the risk of serious injury, including fluid injection and splashing of fluid in the eyes or on the skin, and injury from moving parts if you are adjusting or repairing the pump.

The main air bleed valve (E) shuts off and relieves the air to the pump and ram. The ram will hold pressure if the ram director valve (U) is in the horizontal (neutral) position. To relieve air pressure in the ram, close the main air bleed valve (E) and move the director valve (U) to DOWN. The ram will slowly drop.

The pump air bleed valve (H) relieves air trapped between it and the pump after the air is shut off. Trapped air can cause the pump to cycle unexpectedly. Locate the valve close to the pump.

The fluid drain valve assists in relieving fluid pressure in the displacement pump, hose, and gun. Triggering the gun to relieve pressure may not be sufficient.

System Accessories and Modules

Before you install the system, you should be familiar with the parts discussed in the following paragraphs.

NOTE: Reference numbers and letters in parentheses in the text refer to the callouts in the figures and the parts drawing.

- **Main air bleed valve (E)** is required in your system to shut off the air supply to the pump and ram (Refer to the preceding **WARNING**). When closed, the valve bleeds off all air in the ram and pump, and the ram slowly lowers. Be sure the valve is easily accessible from the pump, and is located **upstream** from the air manifold (F).
- **Pump air bleed valve (H)** is required in your system to relieve air trapped between it and the air motor when the valve is closed (Refer to the preceding **WARNING**). Be sure the valve is easily accessible from the pump, and is located **downstream** from the air regulator (G).
- **Air regulator (G)** controls pump speed and outlet pressure by adjusting the air pressure to the pump. Locate the regulator close to the pump, but **upstream** from the pump air bleed valve.
- **Air manifold (F)** has a swivel air inlet. It mounts to the ram, and provides ports for connecting lines to air-powered accessories.
- **Air line filter (J)** removes harmful dirt and moisture from the compressed air supply.
- **Second bleed-type air valve (K)** isolates the air line accessories for servicing. Locate upstream from all other air line accessories.
- **Pneumatic (Model 970196) or electrical (Model 970197) crossover (L)** provides switching between dual rams to provide a constant supply of material to the system. The crossover controls the air supply to each of the ram air motors. **A low-level shutoff (L) (Model 970198)** provides automatic shutdown of a single ram system when only a small amount of material remains. The shutoff controls the air supply to the ram air motor.
- **Ram air regulator (T)** controls the air pressure to the ram.
- **Ram director valve (U)** controls the raising and lowering of the ram.
- **Air release valve (V)** opens and closes the flow of air to assist raising the ram plate (C) out of an empty drum.
- **Bleed handle (CC)** bleeds air from under the ram plate (C) to assist in priming the pump and lowering the ram plate into the drum.

Component Identification and Function

KEY

- A Pump
- B Ram (two used on 970196 and 970197, one used on 970198)
- C Ram Plate
- D Electrically Conductive Air Supply Hose
- E Main Air Bleed Valve (required, for pump and ram)
- F Air Manifold
- G Pump Air Regulator

- H Pump Air Bleed Valve (required, for pump)
- J Air Line Filter
- K Bleed-Type Air Valve (for accessories)
- L Pneumatic Crossover (for 970196), Electrical Crossover (for 970197), Low-level Shutoff (for 970198)
- N Electrically Conductive Fluid Hose

- S Ball Valve
- T Ram Air Regulator
- U Ram Director Valve
- V Air Release Valve
- W Air Line Drain Valve
- Y Ground Wire (required; Refer to page 8 for setup)
- AA Safety Valve
- CC Bleed Handle

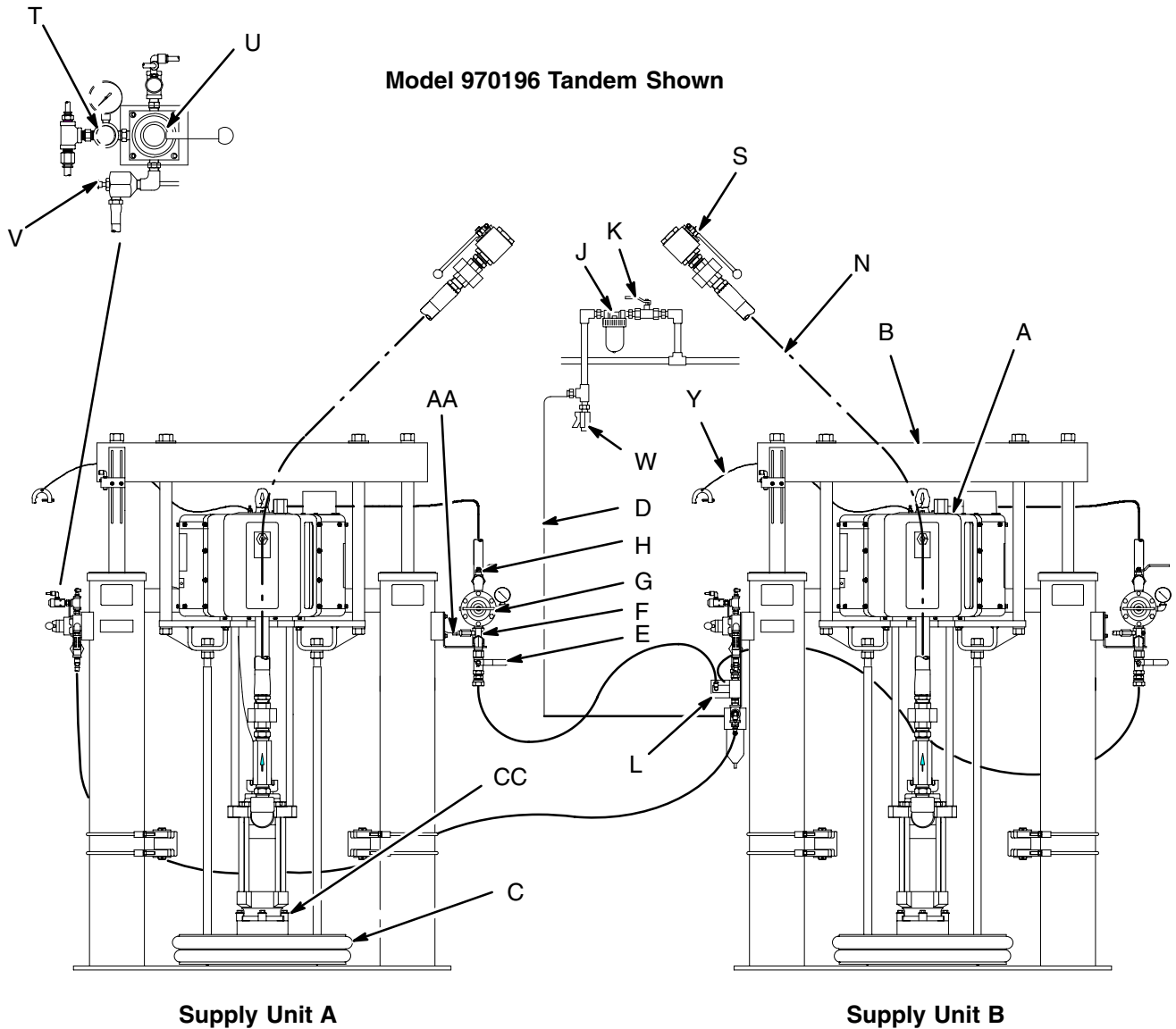


Fig. 1

System Setup

System Setup

The following typical system installation is only a guide for selecting and installing system components and accessories. Contact your Graco distributor for help in designing a system to suit your particular needs.

Air-powered ram extruder systems force high viscosity fluids into the intake valve of the fluid pump. Make certain all accessories are adequately sized and pressure-rated to meet your system's requirements.

Air and Fluid Hoses

Be sure all air hoses (D) and fluid hoses (N) are properly sized and pressure-rated for your system. Use only electrically conductive hoses. See Fig. 1.



Selecting System Ram Locations

System rams are to be positioned so that air regulator controls for pumps and rams are easily accessible. Make sure there is overhead clearance for rams when fully raised. Refer to the separate ram manual 306934 (supplied) for additional setup data.

Use holes in ram base as a guide, drill holes for 13 mm (1/2 in.) anchors.

Check that ram base is level in all directions. If necessary, level base using metal shims. Secure base to floor using 13 mm (1/2 in.) anchors to prevent ram from tipping.

System Grounding

 WARNING	
	FIRE AND EXPLOSION HAZARD Before operating the pump, ground the system as explained below. Also read the section FIRE, EXPLOSION AND ELECTRIC SHOCK HAZARD on page 4.

1. **Ram Pumps:** check ground wire and clamp. See Fig. 2. To install, loosen grounding lug locknut (W) and washer (X). Insert one end of 1.5 mm² (12 ga) minimum ground wire (Y) into slot in lug (Z) and tighten locknut securely. Connect other end of wire to true earth ground.

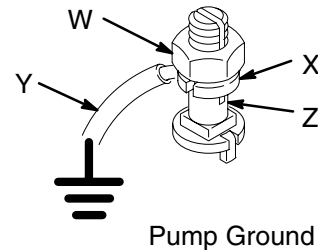


Fig. 2

0864

2. **Air and fluid hoses:** use only electrically conductive hoses.
3. **Air compressor:** follow manufacturer's recommendations.
4. **Dispense gun:** ground through connection to properly grounded fluid hose and pump.
5. **Material supply container:** follow your local code.
6. **Object material is applied to:** follow your local code.
7. **Solvent pails used when flushing:** follow your local code. Use only metal pails, which are conductive, placed on grounded surface. Do not place pail on nonconductive surface, such as paper or cardboard, which interrupts grounding continuity.
8. **To maintain grounding continuity when flushing or relieving pressure,** hold metal part of dispense gun firmly to side of grounded metal pail, then trigger gun.

System Setup

Pneumatic Crossover Setup (Model 970196)

Install the pneumatic crossover as shown in Fig. 3. Refer also to manual 310293.

NOTE: During system operation, as the ram approaches the drum bottom, the top of the ram contacts the limit valve switch. The switch shuts off air to the ram air motor via a 4-way piloted air valve. As the valve stops air to one air motor, it starts air to the other air motor. This allows constant material flow and changing out of material drums.

NOTE: The position of the limit valve (D) on the ram determines when the ram air motor is turned on and off. During operation, this position can be adjusted as desired. See Fig. 3.

Pneumatic Crossover Setup (Model 970196)

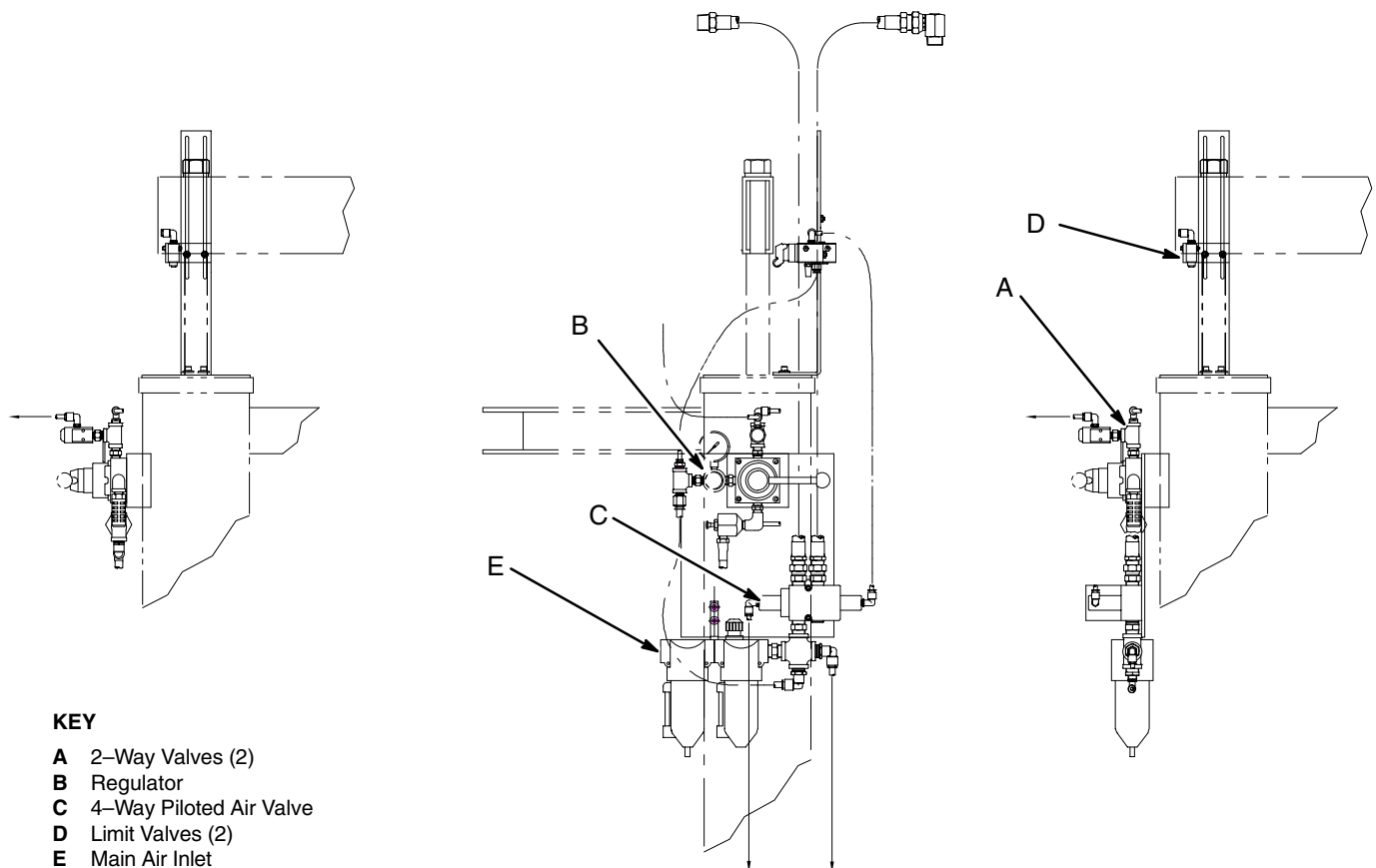


Fig. 3

8887A

System Setup

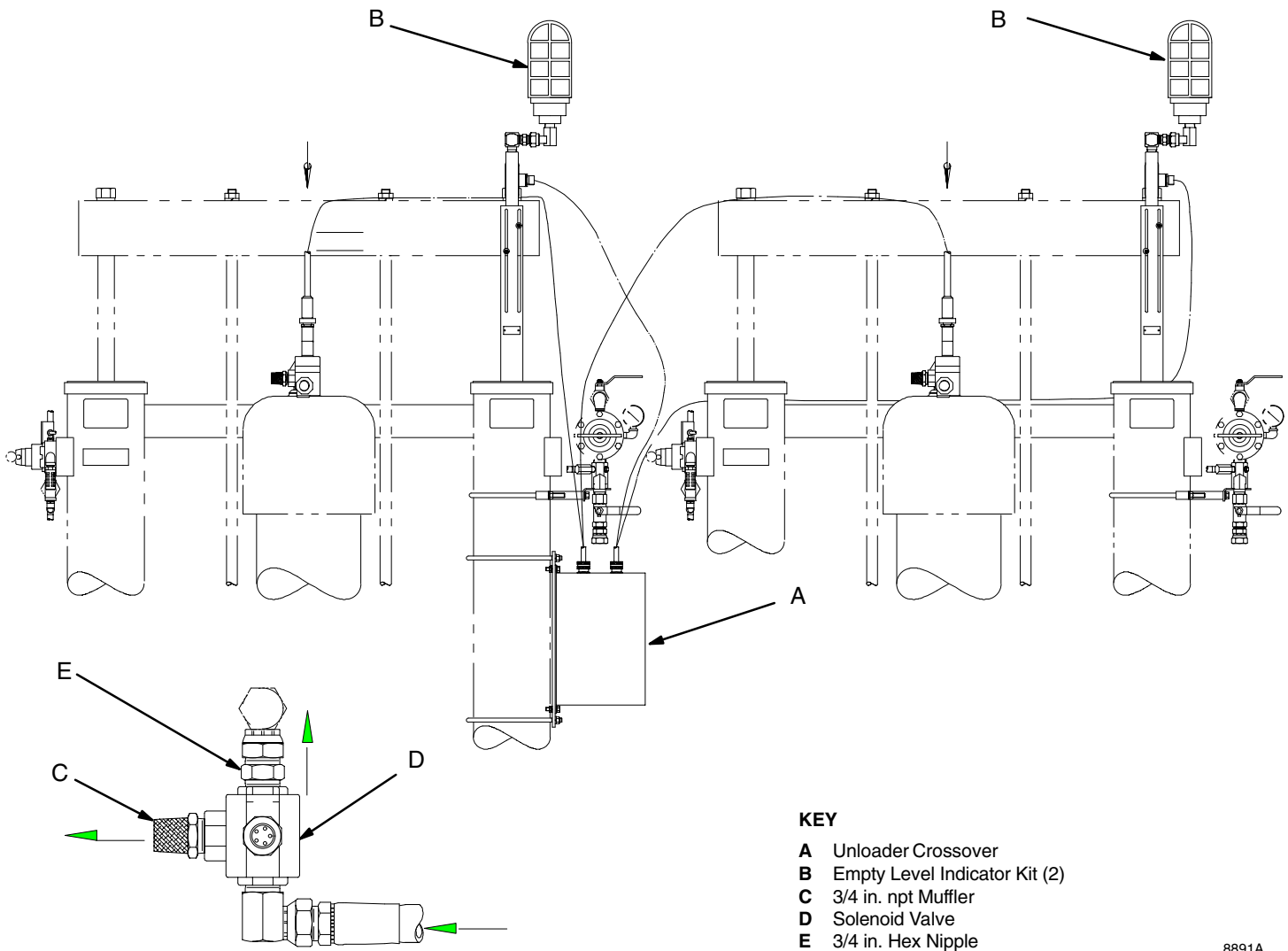
Electrical Crossover Setup (Model 970197)

The electrical crossover is setup as shown in Fig. 4. Also refer to manual 310295.

NOTE: During system operation, as the ram approaches the drum bottom, the top of the ram contacts the empty level indicator kit's limit valve switch. The switch shuts off air to the ram air motor via a solenoid valve. As the valve stops air to one air motor, it starts air to the other air motor. This allows constant material flow and changing out of material drums.

The position of the empty level indicator kit (B) on the ram determines when the ram air motor is turned on and off. During operation, this position can be adjusted as desired. See Fig. 4.

Electrical Crossover Setup (Model 970197)



8891A

Fig. 4

System Setup

Low-Level Shutoff Setup (Model 970198)

Setup the low-level shutoff as shown in Fig. 5. See also manual 310294.

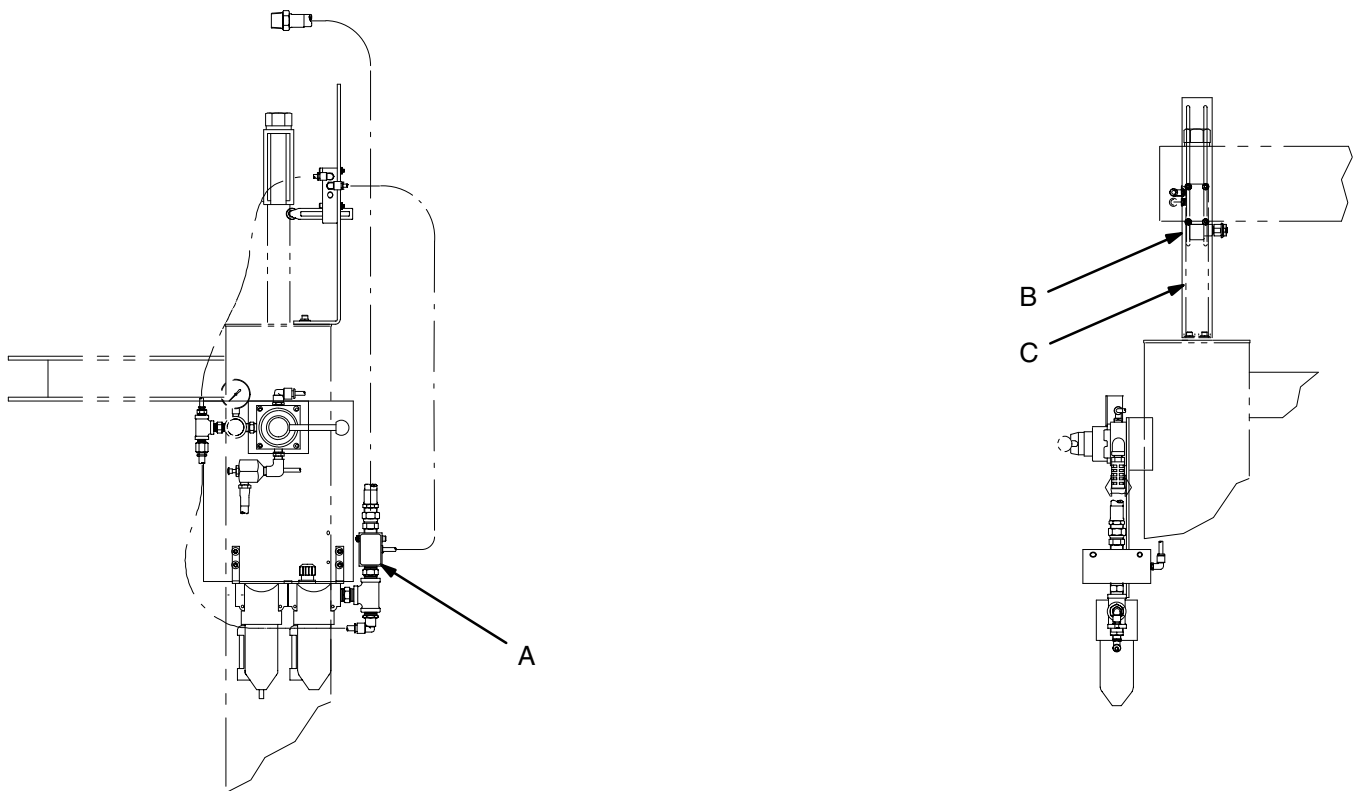
During system operation, as the ram approaches the drum bottom, the top of the ram contacts the limit valve switch. The switch shuts off the air to the air motor.

NOTE: The position of the air limit valve (B) on the ram determines when the ram air motor is turned on and off. During operation, this position can be adjusted as desired. See Fig. 5.

Low-Level Shutoff Setup (Model 970198)

KEY

- A 3-Way Pilot Valve
- B Air Limit Valve
- C Limit Valve Bracket



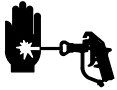
8890A

Fig. 5

Operation

Pressure Relief Procedure

WARNING



INJECTION HAZARD

The system pressure must be manually relieved to prevent the system from starting or spraying accidentally. Fluid under high pressure can be injected through the skin and cause serious injury. To reduce the risk of an injury from injection, splashing fluid, or moving parts, follow the **Pressure Relief Procedure** whenever you:

- are instructed to relieve the pressure,
- stop dispensing,
- check or service any of the system equipment,
- or install or clean the dispense ball valve.

1. Relieve system pressure to which Graco module supply units are attached.
2. Close dispenser ball valves (S). Unhook ball valves from system. See Fig. 1.
3. Close pump air bleed valve (H, required in your system). See Fig. 1 or Fig. 6.
4. Shut off main air bleed valve (E, required in your system). Set ram director valve (U) to DOWN. Ram will slowly drop.
5. Hold metal part of dispenser ball valve firmly to side of grounded metal pail, and open ball valve to relieve pressure.
6. Close dispenser ball valve.
7. Repeat procedure for each ram (for models 970196 and 970197 only).

Flushing the System

Flush the system before initial use to prevent material contamination.

CAUTION

Flush the system before performing the initial material loading procedure. The system was factory-tested using a light soluble oil, a soybean oil, or other oil as tagged. Flush the system to avoid contaminating the material that has been designated for initial material loading.

To flush the system, perform the following procedure:

1. Select material to be used.

WARNING


Use fluids and solvents that are chemically compatible with the equipment wetted parts. Refer to the **Technical Data** sections of all the equipment manuals. Always read the material manufacturer's literature before using fluid or solvent in this pump.

2. Verify that factory-test oil and material are compatible:
 - a. If substances are compatible, omit following step b and proceed to step 4.
 - b. If substances are incompatible, perform remaining steps to flush system.
3. Select drum of solvent that dissolves, cleans, and eliminates factory-test oil from system. If necessary, check with Graco Distributor or material supplier for recommended solvent.
4. Before flushing, be sure entire system and flushing drums are properly grounded. Refer to **System Grounding**, on page 8.
5. Using compatible solvent, perform **Starting and Adjusting System Rams** procedure and **Starting and Adjusting the Pump** procedure on page 13.
6. Flush solvent through system for 1 to 2 minutes.
7. Remove drum containing solvent.

Operation

Starting and Adjusting System Rams


⚠ WARNING

 **PRESSURIZED EQUIPMENT HAZARD**
To reduce the risk of injury or equipment damage:

- Make sure all material hose connections are secure.
- Check that all routing of air lines will not interfere with any moving components within the fixture.
- Do not pressurize the system until you have verified the system is ready and it is safe to do so.

1. Use following instructions to start and adjust system rams.


⚠ WARNING

 **MOVING PARTS HAZARD**
Moving parts can pinch or amputate your fingers. During container changeover or when servicing the pump or supply unit, be sure to close the pump air valve (H). Failure to do this may allow the pump to start if the other supply unit receives a low level signal.

2. Close **all** air regulators and air valves on the supply unit being started. See Fig. 6.
3. Open main air bleed valve (E) and set ram air regulator (T) to 2.8 bar, 0.26 MPa (40 psi). Move director valve (U) handle so arrow points to UP, and let ram rise to full height.
4. Remove drum cover. Smooth material surface with straightedge.

5. Set full drum of fluid on ram base, slide drum back against tube stop, and center under ram plate (C). Use drum clamps (DD) to center, hold, and properly align drum with ram.

⚠ WARNING

 **MOVING PARTS HAZARD**
Moving parts can pinch or amputate your fingers. When the pump is operating and when raising or lowering the ram, keep your fingers and hands away from the pump intake, ram plate, and lip of the drum.

⚠ CAUTION

To help avoid damage to equipment, do not use drums that have side bungs or large dents with this ram. Rough bung openings or large dents will damage the wipers or stop the ram plate, resulting in a runaway pump.

6. Move director valve handle to DOWN position to lower ram. Lower ram until ram plate is just above drum, then set valve to neutral position. Reposition drum as necessary so wipers do not hit drum lip. Open vent valve (CC) on ram plate.
7. Set director valve to DOWN position and lower ram until fluid appears at vent valve (CC). Set director valve to neutral and close vent valve.

Starting and Adjusting the Pump

1. Be sure pump air regulator (G) is closed. Set ram air regulator (T) to 3.5 bar, 0.35 MPa (50 psi). Set director valve (U) to DOWN. See Fig. 6.
2. Open the pump air bleed valve (H). **Slowly** adjust the pump air regulator. This will start the pump and fill the material passage.
3. Keep director valve (U) set to DOWN while pump is operating.

NOTE: Increase air pressure to the ram if the pump does not prime properly with heavier fluids. If fluid is forced out around the top wiper, ram pressure is too high and the air pressure should be decreased.

Operation

Changing Drums

WARNING



MOVING PARTS HAZARD

Moving parts can pinch or amputate your fingers. When the pump is operating and when raising or lowering the ram, keep your fingers and hands away from the pump intake, ram plate, and lip of the drum.

1. Stop pump. Close pump air bleed valve (H). See Fig. 6.
2. Before raising wiper plate, locate push button on air release valve (V).
3. Set director valve (U) to UP to raise wiper plate. At the same time, carefully equalize pressure in drum by operating air release valve.
4. Raise wiper plate until it is completely out of drum.
5. Remove empty drum.

6. Inspect wiper plate and, if necessary, remove any remaining material or material build-up.
7. Place full drum on ram base.
8. Lower ram and adjust position of drum relative to ram plate, as explained under **Starting and Adjusting Ram** on page 13.

Shutdown and Care of the Pump

1. Set director valve (U) to neutral. See Fig. 6.

WARNING

To reduce the risk of serious injury whenever you are instructed to relieve pressure, always follow the **Pressure Relief Procedure** on page 12.

2. **Relieve pressure.**
3. Follow pump shutdown instructions in your separate pump manual.

Operation

Model 970196 Tandem Shown

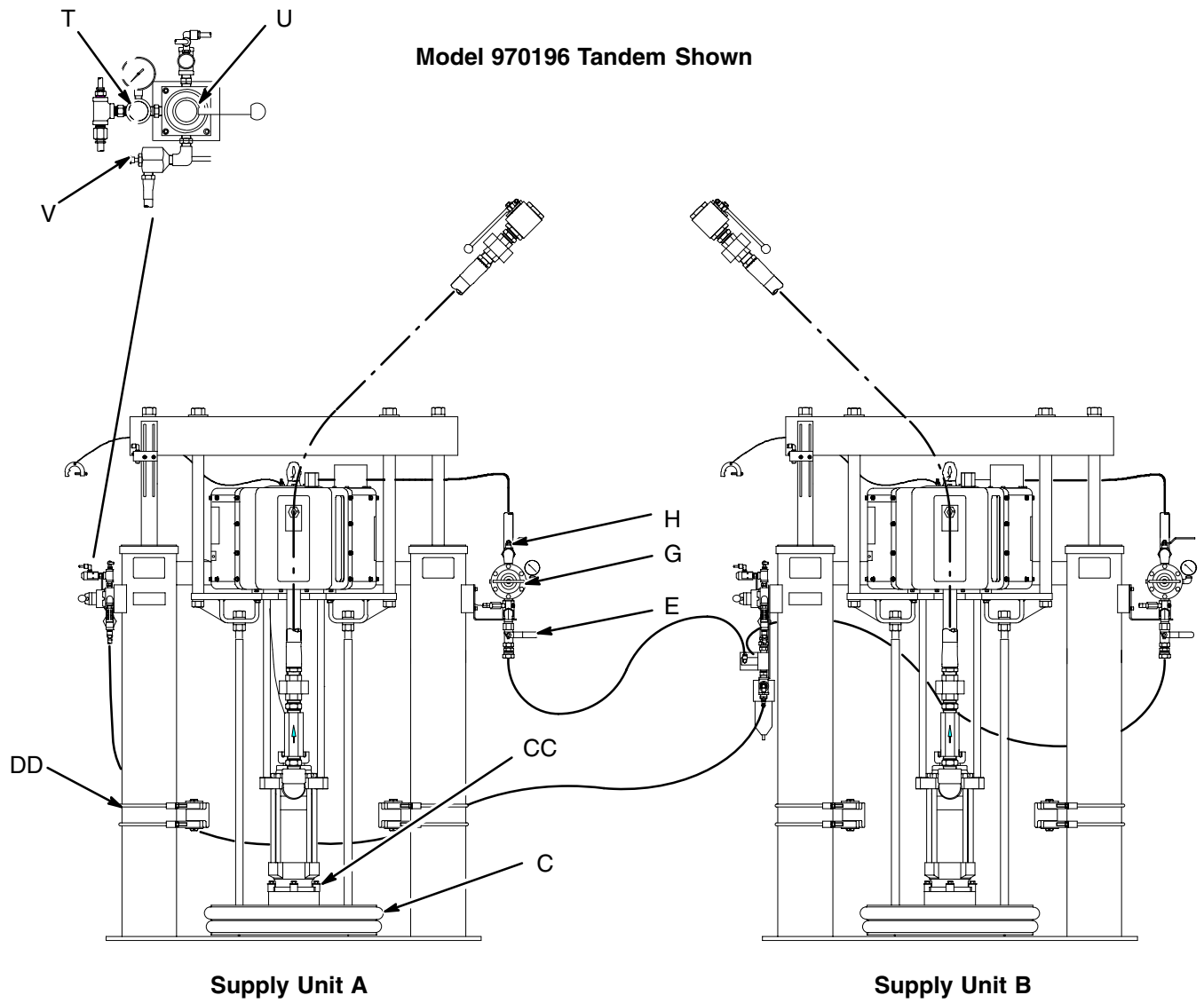


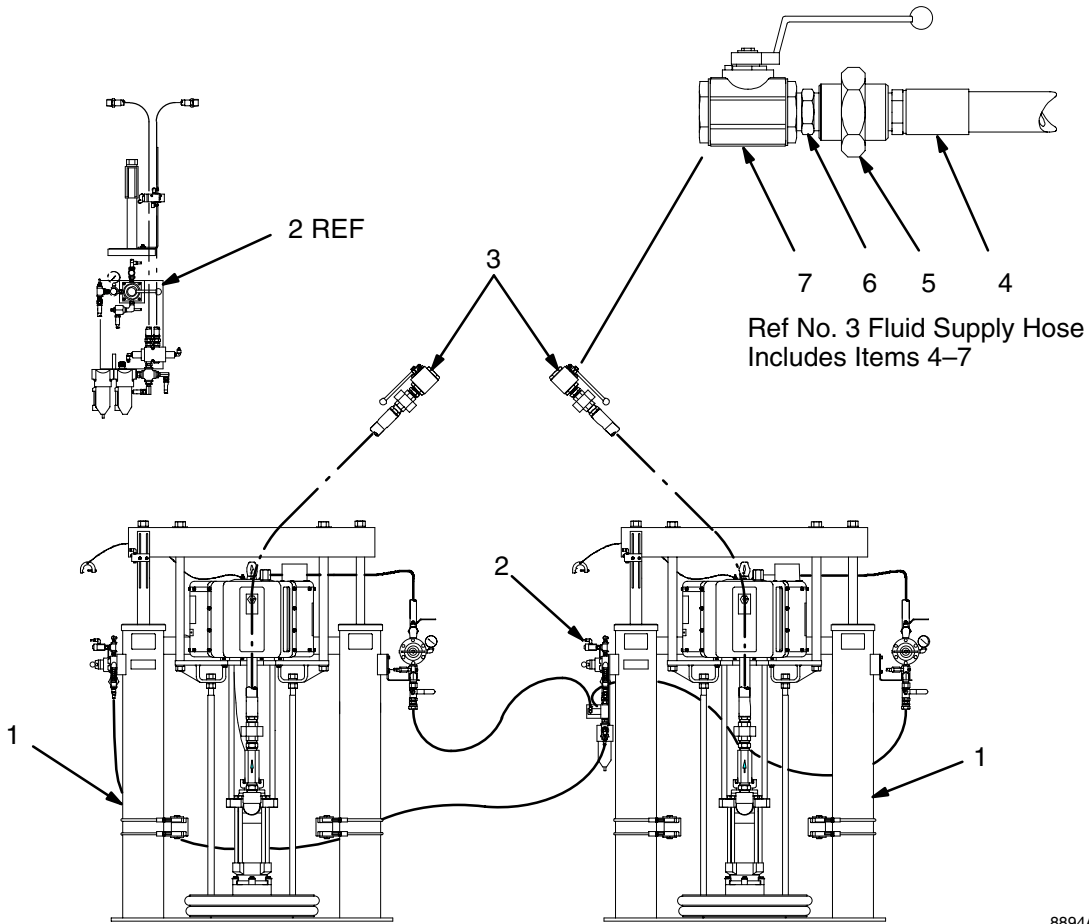
Fig. 6

Parts

Model 970196

Tandem with Pneumatic Crossover, 45:1 Ratio Premier Pump

Includes items 1–7



8894A

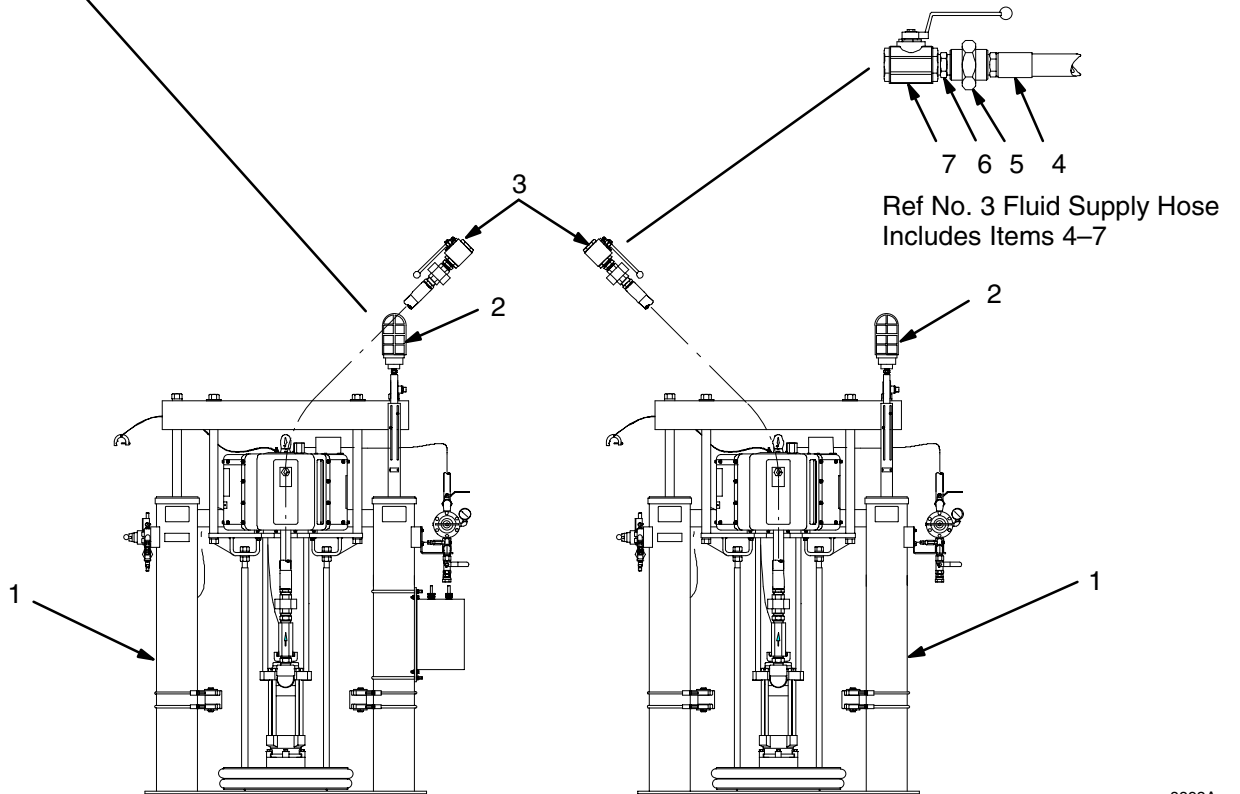
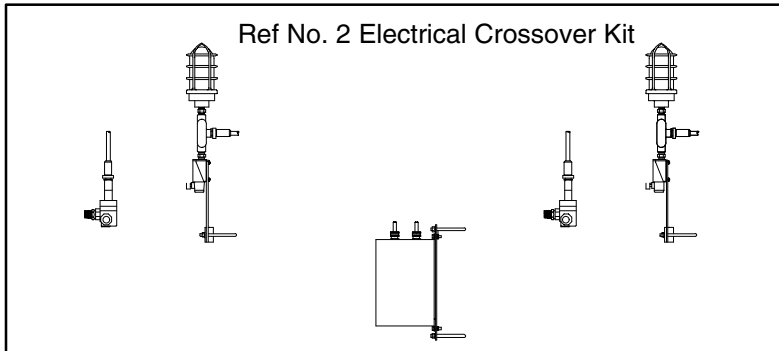
Ref No.	Part No.	Description	Qty	Ref No.	Part No.	Description	Qty
1	918481	PUMP, ram-mounted 200 liter (55 gal.) See 310524 for parts	2	4	521973	. HOSE	1
2	918393	KIT, pneumatic crossover See 310293 for parts	1	5	521975	. UNION, pipe	1
3	C56995	HOSE ASSEMBLY, fluid supply; Includes items 4–7	2	6	C20490	. NIPPLE, hex	1
				7	118854	. VALVE, ball	1

Parts

Model 970197

Tandem with Electrical Crossover, 45:1 Ratio Premier Pump

Includes items 1–7



8893A

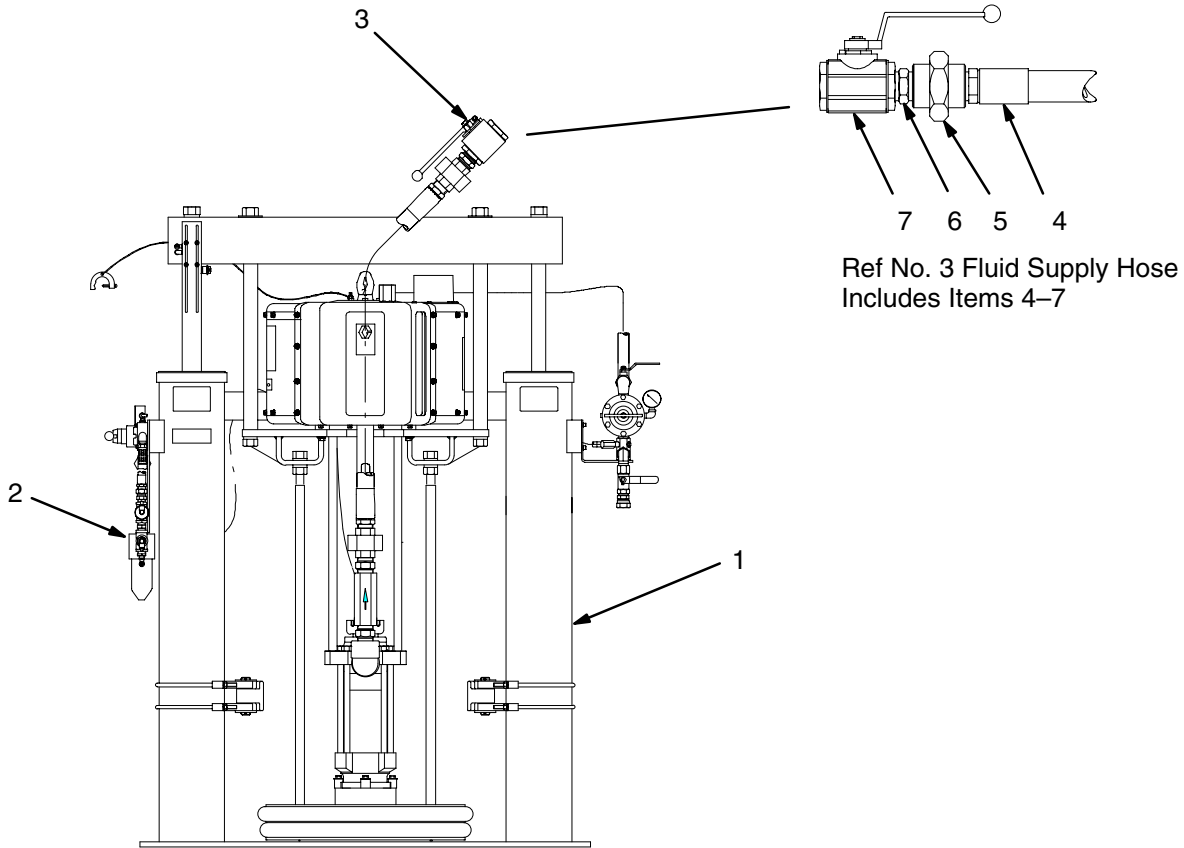
Ref No.	Part No.	Description	Qty	Ref No.	Part No.	Description	Qty
1	918481	PUMP, ram-mounted 200 liter (55 gal.) See 310524 for parts	2	4	521973	. HOSE ASSEMBLY	1
2	C59520	KIT, electrical crossover See 310295 for parts	1	5	521975	. UNION, pipe	1
3	C56995	HOSE, fluid supply; Includes items 4–7	2	6	C20490	. NIPPLE, hex	1
				7	118854	. VALVE, ball	1

Parts

Model 970198

Supply Unit with Pneumatic Low Level Shut-Off, 45:1 Ratio Premier Pump

Includes items 1-7



8892A

Ref No.	Part No.	Description	Qty	Ref No.	Part No.	Description	Qty
1	918481	PUMP, ram-mounted 200 liter (55 gal.) See 310524 for parts	1	4	521973	. HOSE ASSEMBLY	1
2	918396	KIT, shut-off, low level, pneumatic See 310294 for parts	1	5	521975	. UNION, pipe	1
3	C56995	HOSE, fluid supply; Includes items 4-7	1	6	C20490	. NIPPLE, hex	1
				7	118854	. VALVE, ball	1

Technical Data

Part No.	Pump Model	Displacement Pump Model	Ratio	Maximum Fluid Working Pressure	Maximum Pump Air Input Pressure
970196	Premier™	Dura-Flo™ 1800	45:1	332 bar, 33.2 MPa (4875 psi)	5.1 bar, 0.51 MPa (75 psi)
970197	Premier™	Dura-Flo™ 1800	45:1	332 bar, 33.2 MPa (4875 psi)	5.1 bar, 0.51 MPa (75 psi)
970198	Premier™	Dura-Flo™ 1800	45:1	332 bar, 33.2 MPa (4875 psi)	5.1 bar, 0.51 MPa (75 psi)

Sound Pressure Levels (dBa)

(measured at 1 meter from unit)

Air Motor	Input Air Pressures at 15 cycles per minute			
	0.28 MPa, 2.8 bar (40 psi)	0.48 MPa, 4.8 bar (70 psi)	0.63 MPa, 6.3 bar (90 psi)	0.7 MPa, 7 bar (100 psi)
Premier	82.5	82.4	83.2	83.0

Sound Power Levels (dBa)

(tested in accordance with ISO 9614–2)

Air Motor	Input Air Pressures at 15 cycles per minute			
	0.28 MPa, 2.8 bar (40 psi)	0.48 MPa, 4.8 bar (70 psi)	0.63 MPa, 6.3 bar (90 psi)	0.7 MPa, 7 bar (100 psi)
Premier	90.6	90.6	93.0	95.9

Main air inlets [for 970196 (1) and 970197 (2)] 3/4 in. npsm(f)
 Main air inlet (for 970198) 1/2 in. npt(f)
 Material outlets [for 970196 (2), 970197 (2), and 970198 (1)] 1–1/4 in. npt(f)
 Maximum fluid flow (at 60 cpm) 26.1 liters/min (6.9 gpm)
 Wetted parts *Fluid outlet fittings: zinc or cadmium-plated carbon steel*

Graco Standard Warranty

Graco warrants all equipment manufactured by Graco and bearing its name to be free from defects in material and workmanship on the date of sale to the original purchaser for use. With the exception of any special, extended, or limited warranty published by Graco, Graco will, for a period of twelve months from the date of sale, repair or replace any part of the equipment determined by Graco to be defective. This warranty applies only when the equipment is installed, operated and maintained in accordance with Graco's written recommendations.

This warranty does not cover, and Graco shall not be liable for general wear and tear, or any malfunction, damage or wear caused by faulty installation, misapplication, abrasion, corrosion, inadequate or improper maintenance, negligence, accident, tampering, or substitution of non-Graco component parts. Nor shall Graco be liable for malfunction, damage or wear caused by the incompatibility of Graco equipment with structures, accessories, equipment or materials not supplied by Graco, or the improper design, manufacture, installation, operation or maintenance of structures, accessories, equipment or materials not supplied by Graco.

This warranty is conditioned upon the prepaid return of the equipment claimed to be defective to an authorized Graco distributor for verification of the claimed defect. If the claimed defect is verified, Graco will repair or replace free of charge any defective parts. The equipment will be returned to the original purchaser transportation prepaid. If inspection of the equipment does not disclose any defect in material or workmanship, repairs will be made at a reasonable charge, which charges may include the costs of parts, labor, and transportation.

THIS WARRANTY IS EXCLUSIVE, AND IS IN LIEU OF ANY OTHER WARRANTIES, EXPRESS OR IMPLIED, INCLUDING BUT NOT LIMITED TO WARRANTY OF MERCHANTABILITY OR WARRANTY OF FITNESS FOR A PARTICULAR PURPOSE.

Graco's sole obligation and buyer's sole remedy for any breach of warranty shall be as set forth above. The buyer agrees that no other remedy (including, but not limited to, incidental or consequential damages for lost profits, lost sales, injury to person or property, or any other incidental or consequential loss) shall be available. Any action for breach of warranty must be brought within two (2) years of the date of sale.

Graco makes no warranty, and disclaims all implied warranties of merchantability and fitness for a particular purpose in connection with accessories, equipment, materials or components sold but not manufactured by Graco. These items sold, but not manufactured by Graco (such as electric motors, switches, hose, etc.), are subject to the warranty, if any, of their manufacturer. Graco will provide purchaser with reasonable assistance in making any claim for breach of these warranties.

In no event will Graco be liable for indirect, incidental, special or consequential damages resulting from Graco supplying equipment hereunder, or the furnishing, performance, or use of any products or other goods sold hereto, whether due to a breach of contract, breach of warranty, the negligence of Graco, or otherwise.

FOR GRACO CANADA CUSTOMERS

The parties acknowledge that they have required that the present document, as well as all documents, notices and legal proceedings entered into, given or instituted pursuant hereto or relating directly or indirectly hereto, be drawn up in English. Les parties reconnaissent avoir convenu que la rédaction du présente document sera en Anglais, ainsi que tous documents, avis et procédures judiciaires exécutés, donnés ou intentés à la suite de ou en rapport, directement ou indirectement, avec les procédures concernées.

Graco Information

TO PLACE AN ORDER, contact your Graco distributor, or call one of the following numbers to identify the distributor closest to you:

1-800-367-4023 Toll Free

612-623-6921

612-378-3505 Fax

All written and visual data contained in this document reflects the latest product information available at the time of publication. Graco reserves the right to make changes at any time without notice.

Sales Offices: Minneapolis, Detroit
International Offices: Belgium, Korea, Hong Kong, Japan

www.graco.com

PRINTED IN USA 310338 02/1999, Revised 10/2003